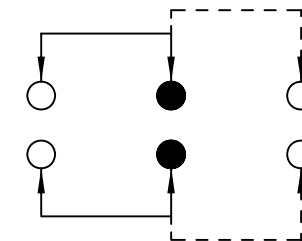
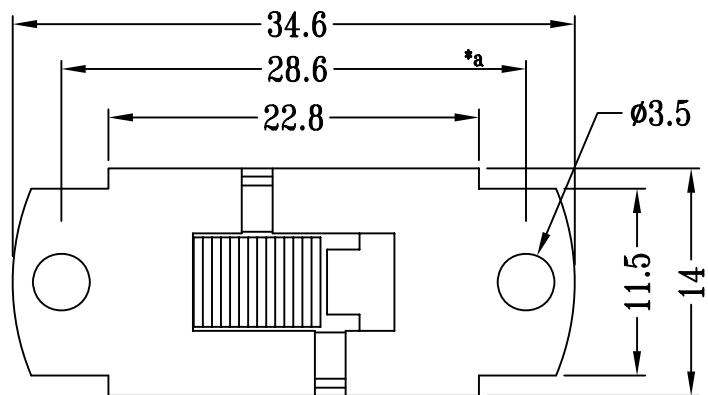
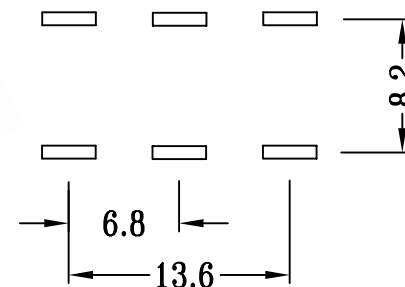
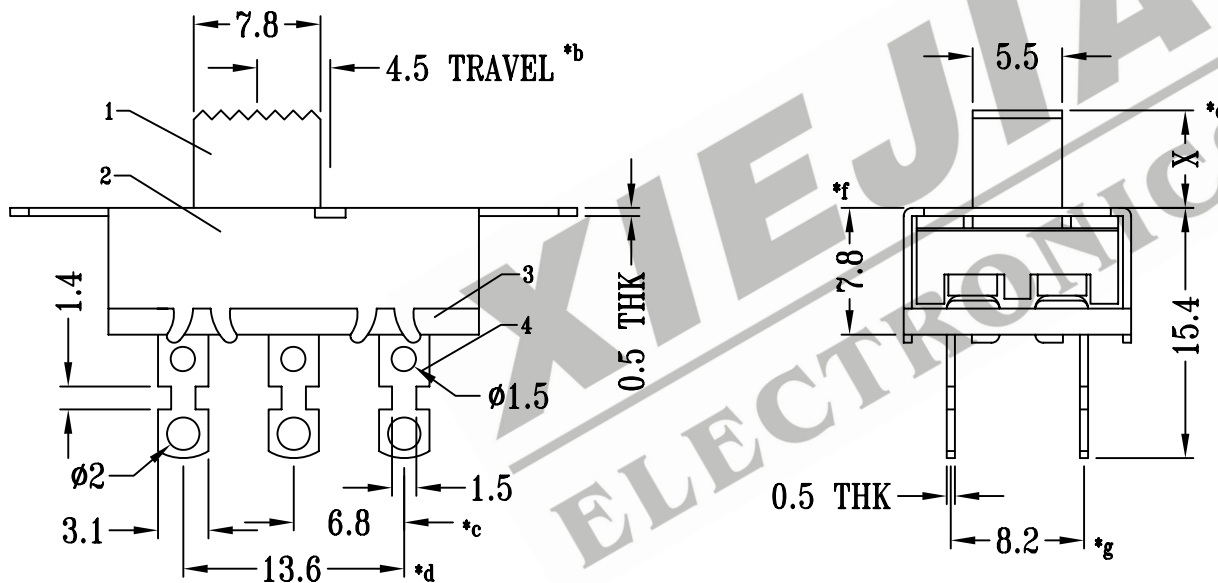


CAD FILE:



**SCHEMATIC (NON-SHORTING)**



**P.C.B LAYOUT**

注:带"\*"表示关键尺寸(7个)

NO.	PART NAME	MATERIAL	QTY	FINISHING	TOLERANCE UNLESS SPECIFIED	SHENZHEN XIEJIA ELECTRONICS CO.,LTD.				
8										
7	SPRING PLATE	PBS STRIP	1	NATURAL	WITHIN: 1.5±0.1mm OVER : 1.5±0.2mm	ISSUE	DATE	DESCRIPTIONS		APPD
6	SPRING PLATE	PBS STRIP	2	NATURAL						
5	CONTACT CLIP	COPPER STRIP	2	Ag PLATED	TITLE: VERTICAL SLIDE SWITCH		UNIT : MM	DRWG NO.: XJ-DR-SS22107-00		
4	TERMINAL	COPPER STRIP	6	Ag PLATED OVER Ni PLATED	MODEL: SS-22107		SCALE: 2:1	DWN	ZHOUYU	2004-12-16
3	TERMINAL BASE	PHENOLIC RESIN	1	BLACK	ALL MATERIALS MUST BE COMPLIANT TO ROHS		APPD	CHK'D	FANGYING	2004-12-16
2	FRAME	STEEL STRIP	1	Zn PLATED				KANGXINAN	2004-12-16	
1	KNOB	PC	1	BLACK						